

**FPU® SYSTEMS OPERATION MANUAL
(INCLUDING REPAIR PARTS & SPECIAL TOOL LIST)
BOH CONTAINERIZED 5 PERSON SHOWER
BOH FPU Field Pack-up Units**

CHAPTER 5

UNIT MAINTENANCE INSTRUCTIONS

This page was intentionally left blank

UNIT MAINTENANCE INSTRUCTIONS**FPU® SYSTEMS OPERATION MANUAL
(INCLUDING REPAIR PARTS & SPECIAL TOOL LIST)
BOH CONTAINERIZED 5 PERSON SHOWER
BOH FPU Field Pack-up Units****DOOR ASSEMBLY and RIVET REPLACEMENT****INITIAL SETUP:****Materiel/Parts**

Door Seal Kit

Personnel Required

One

Tools

Rags, 1/4 hp Electric Drill, Pop Rivet Tool, 3/16" drill bit

References

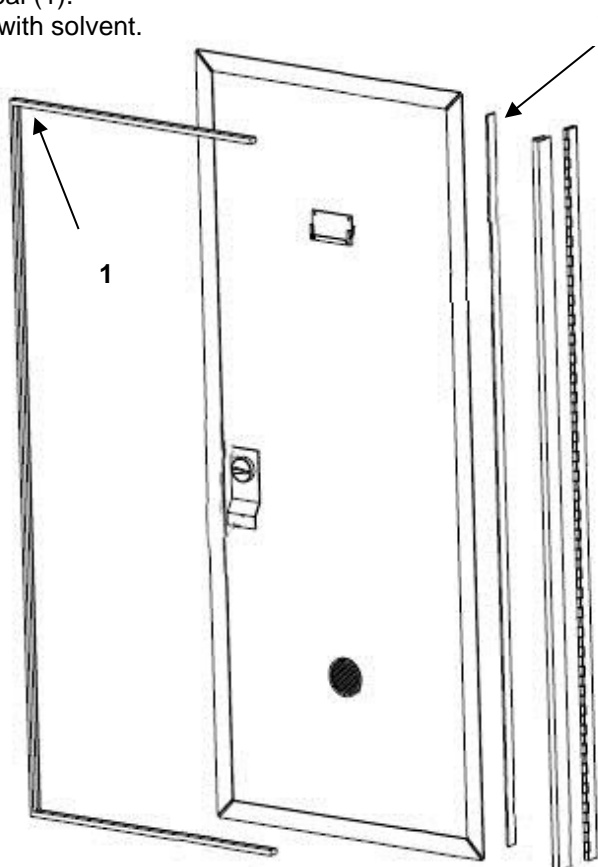
WP 0004 00

Equipment Condition

Shower Door Seal Repair

INSPECT, REPAIR**REPAIR OR REPLACE DOOR SEALS**

1. Inspect door seals for cracks or damage.
2. Prop the door in the open position.
3. Remove the damaged door seal (1).
4. Wipe the rivet surfaces clean with solvent.
5. Apply new self-adhesive seal.

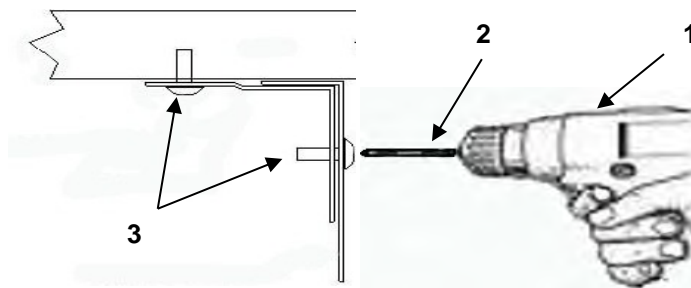


General Rivet Repair

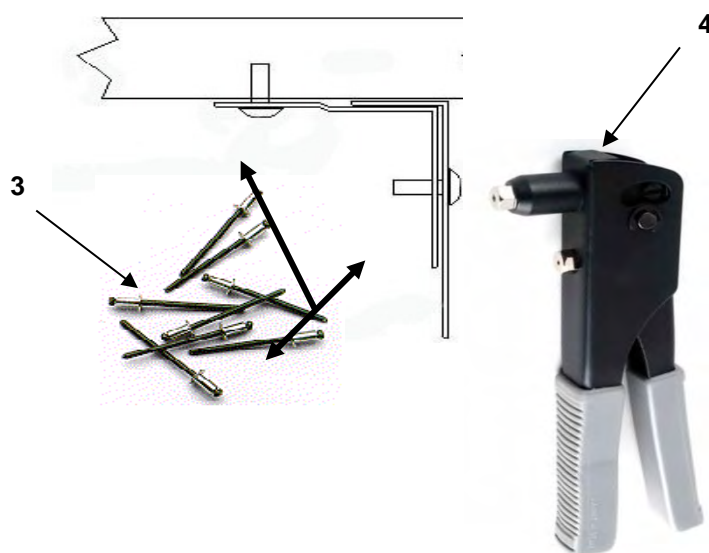


WARNING

Use proper eye protection when operating a drill.



1. For rivets, use a 1/2 hp. electric drill (1) with a 3/16" drill bit (2), and drill through the center core of the rivet (3).
2. Remove the remainder of any pop rivet debris with needle nose pliers and wipe the hole clean with a rag.
3. Ensure the holes are properly aligned.
4. Insert a new pop rivet, 3/16" DIA (2), through the holes of both items to be secured and into the pop rivet tool (4).
5. Use the pop rivet tool (4) to secure the pop rivet (3) and item in place.
6. Check for proper alignment and tight attachment of the item.
7. Return the door to the closed position and check the door operation and seal contact.



END OF WORK PACKAGE

BOH-PM-04-5
Chapter 5 Rev. 1.02

UNIT MAINTENANCE INSTRUCTIONS

FPU[®] SYSTEMS OPERATION MANUAL (INCLUDING REPAIR PARTS & SPECIAL TOOL LIST) BOH CONTAINERIZED 5 PERSON SHOWER BOH FPU Field Pack-up Units

SHOWER MAGNETIC DOOR LATCH

INITIAL SETUP:

Materiel/Parts

Magnetic Door Latch Kit

Personnel Required

One

Tools

1/4 hp Electric Drill, Pop Rivet Tool, .201" drill bit, Sharpy Marker, 3/8" and 7/16" Socket Wrench and 5/32" Allen Wrench

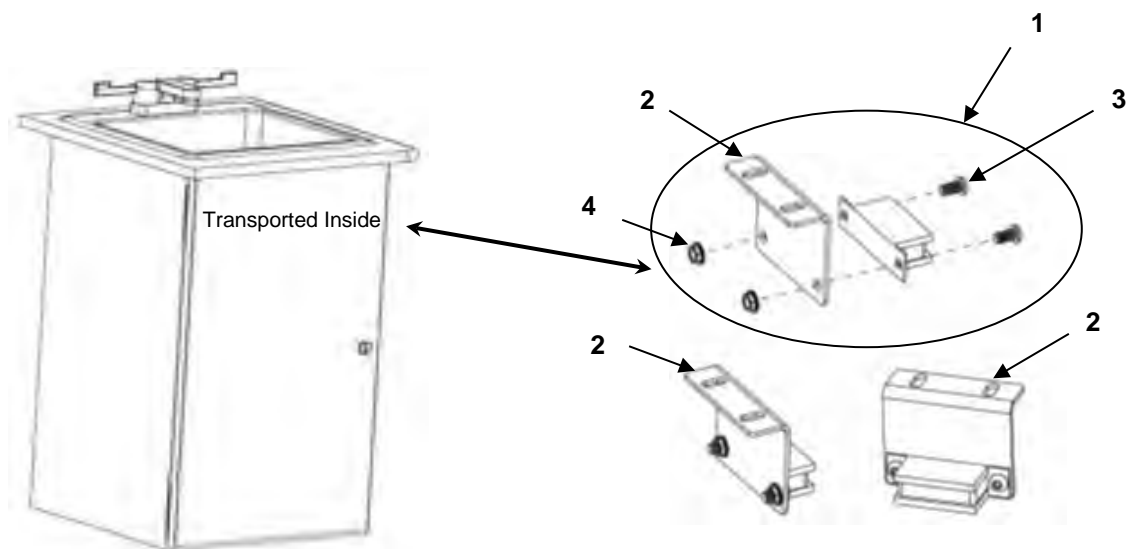
References

None

Equipment Condition

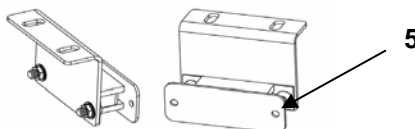
Shower Door Latch Replacement

INSPECT, REPLACE, INSTALL



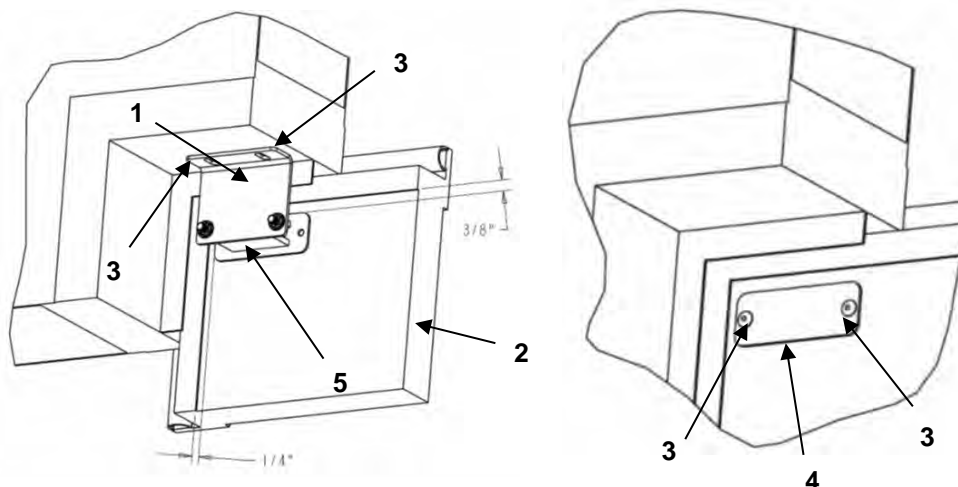
Replace

1. Assemble magnetic door latch (1) and mounting bracket (2), as shown, with the 1/4" button head screws (3) and nuts (4) by using a 5/32" Allen wrench and 7/16" socket or wrench.



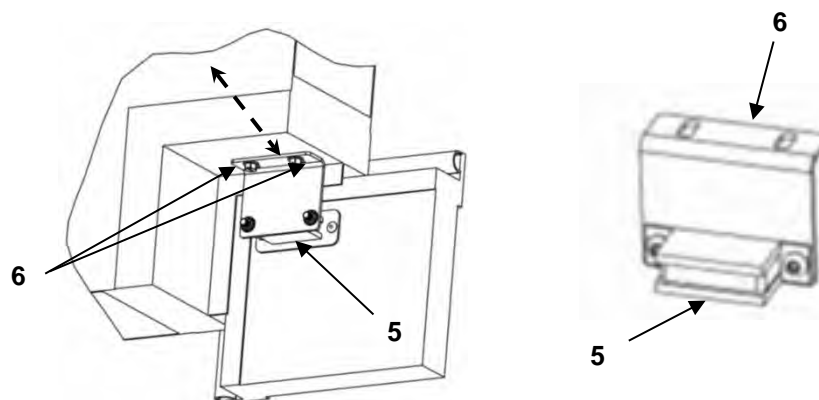
2. Attach and center striker plate (5) to the magnet, as shown.

Latch Location



1. The latch kit is installed on the opposite side of the door hinges.
2. Mockup the magnet and striker plate assembly (1), as shown on upper right, or upper left corner of door (2), depending on unit side. The striker plate should be positioned 3/8" from the top door trim and 1/4" from the side door trim as shown.
3. Mark the pilot hole locations (3) for rivets and self-tapping screws with the Sharpie marker.
4. Drill holes for rivets and self-tapping screws using the 0.201" drill bit.
5. Remove striker plate (4) from magnet (5) and mounting bracket (6).
6. Assemble striker plate (4) with two provided rivets as shown.

Install



1. Install magnet (5) and mounting bracket assembly (6) as shown using two provided #14 self-tapping screws and the 3/8" socket or wrench.
2. Adjust contact of magnet (5) and striker plate (4) and tighten self-tapping screws until mounting bracket (6) is firmly attached to the header trim.
3. If existing door retention latch was removed from the door, plug the remaining holes using the additional rivets provided.
4. Test the door retention and adjust the mounting bracket (6) if needed.

END OF WORK PACKAGE

UNIT MAINTENANCE INSTRUCTIONS

FPU® SYSTEMS OPERATION MANUAL (INCLUDING REPAIR PARTS & SPECIAL TOOL LIST) BOH CONTAINERIZED 5 PERSON SHOWER BOH FPU Field Pack-up Units

VENT FAN

INITIAL SETUP:

Material/Parts

None

Personnel Required

One

Tools

Rags, 1" paint brush

References

Appendix B

Equipment Condition

Shower Vent Fan Model 671

INSPECT and REPAIR

NOTE

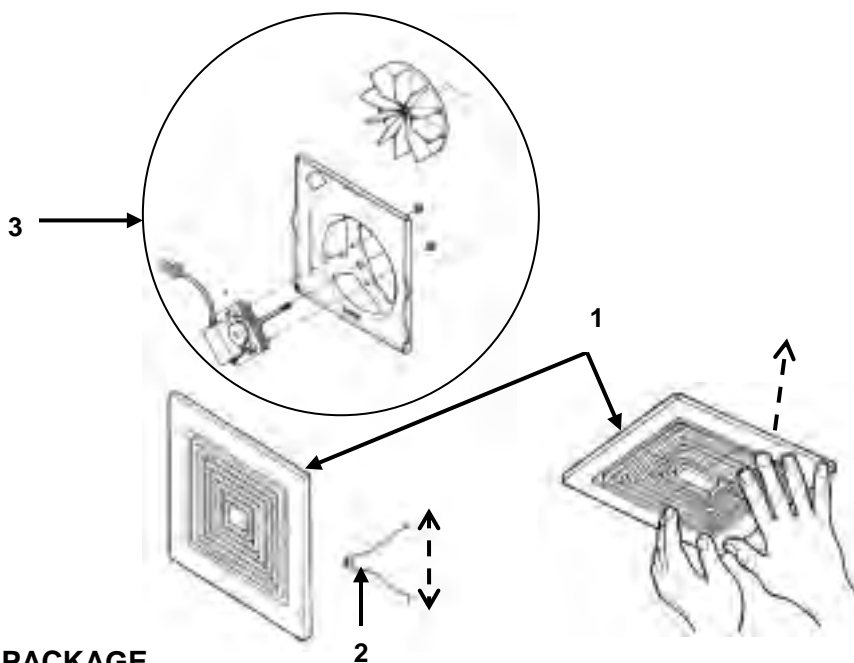
For detailed repair information, refer to Appendix B, BROAN Vent Fan Specification Sheet.

1. Turn off the vent fan and switch off the circuit breaker.
2. Pull down the vent grille (1).
3. Compress the mounting spring clips (2) to detach the grille.

NOTE

The grille (1) is nonmetallic and may be washed with soap and water when there is excessive dirt.

4. Inspect and clean the grille (1) and internal parts (3) with the rags and paint brush.
5. Attach the spring clips (2) and push the grille (1) back into place.
6. Switch on the circuit breaker and fan switch.



END OF WORK PACKAGE

This page was intentionally left blank

UNIT MAINTENANCE INSTRUCTIONS

FPU[®] SYSTEMS OPERATION MANUAL (INCLUDING REPAIR PARTS & SPECIAL TOOL LIST) BOH CONTAINERIZED 5 PERSON SHOWER BOH FPU Field Pack-up Units

LIGHT FIXTURE

INITIAL SETUP:

Materiel/Parts

New Fluorescent Tube

Personnel Required

One

Tools

Rags, Flashlight

References

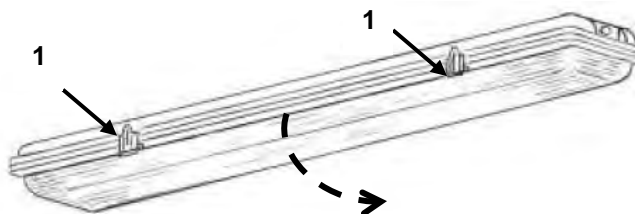
Appendix C

Equipment Condition

Shower Fluorescent Light Fixture

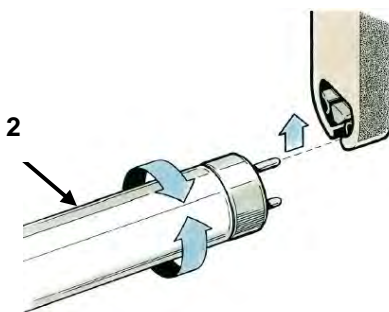
INSPECT and REPAIR

1. Switch off the lighting and switch off the circuit breaker.
2. Release the latches to open the fluorescent light fixture cover (1).



NOTE

Remove and replace defective fluorescent tube (2) by twisting it in place and ensuring contact.



3. Wipe the cover clean with a damp rag.
4. Wipe off the fluorescent tube with a dry rag.
5. Replace faulty tubes and switch on the circuit breaker and lighting switch.

WARNING

Fluorescent tubes may contain hazardous material.

END OF WORK PACKAGE

This page was intentionally left blank

UNIT MAINTENANCE INSTRUCTIONS

FPU® SYSTEMS OPERATION MANUAL (INCLUDING REPAIR PARTS & SPECIAL TOOL LIST) BOH CONTAINERIZED 5 PERSON SHOWER BOH FPU Field Pack-up Units

HOT WATER HEATER

INITIAL SETUP:

Materiel/Parts

None

Personnel Required

One

Tools

Rags, Flashlight

References

Appendix A

Equipment Condition

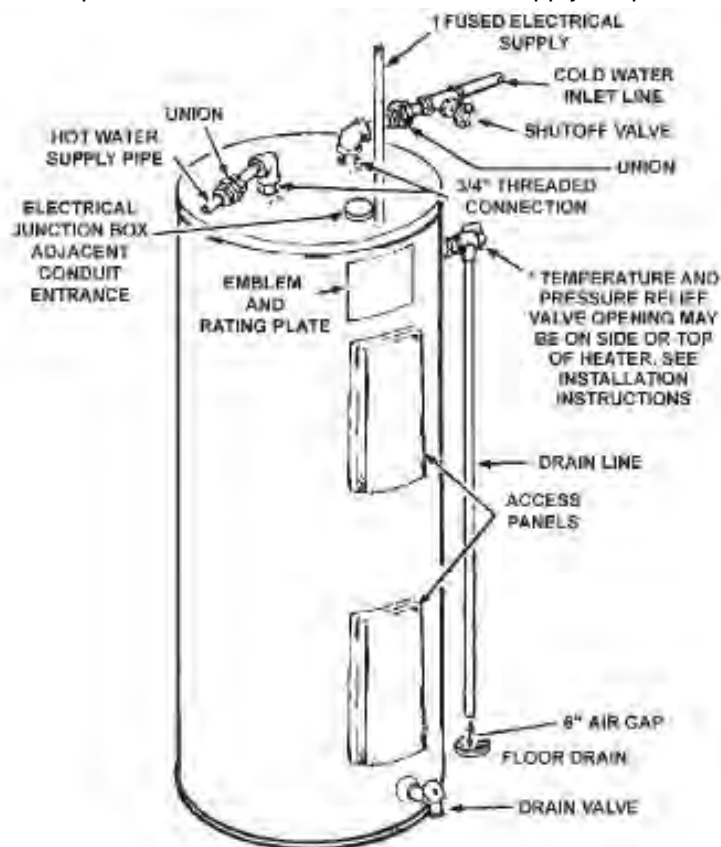
Operational

INSPECT and REPAIR

Review Appendix A for water heater manufacturer's maintenance and repair data.

Only a certified electrician (Army MOS 21R) should attempt repair or replacement.

1. Inspect for leaks and ensure the water supply is open.



Water Shutoff Valve

END OF WORK PACKAGE

This page was intentionally left blank

UNIT MAINTENANCE INSTRUCTIONS

FPU® SYSTEMS OPERATION MANUAL (INCLUDING REPAIR PARTS & SPECIAL TOOL LIST) BOH CONTAINERIZED 5 PERSON SHOWER BOH FPU Field Pack-up Units

ELECTRICAL SYSTEM

INITIAL SETUP:

Materiel/Parts

None

Personnel Required

One Certified Electrician (Army MOS 21R)

Tools

Electrical tool set

References

None

Equipment Condition

Operational Setup

INSPECT

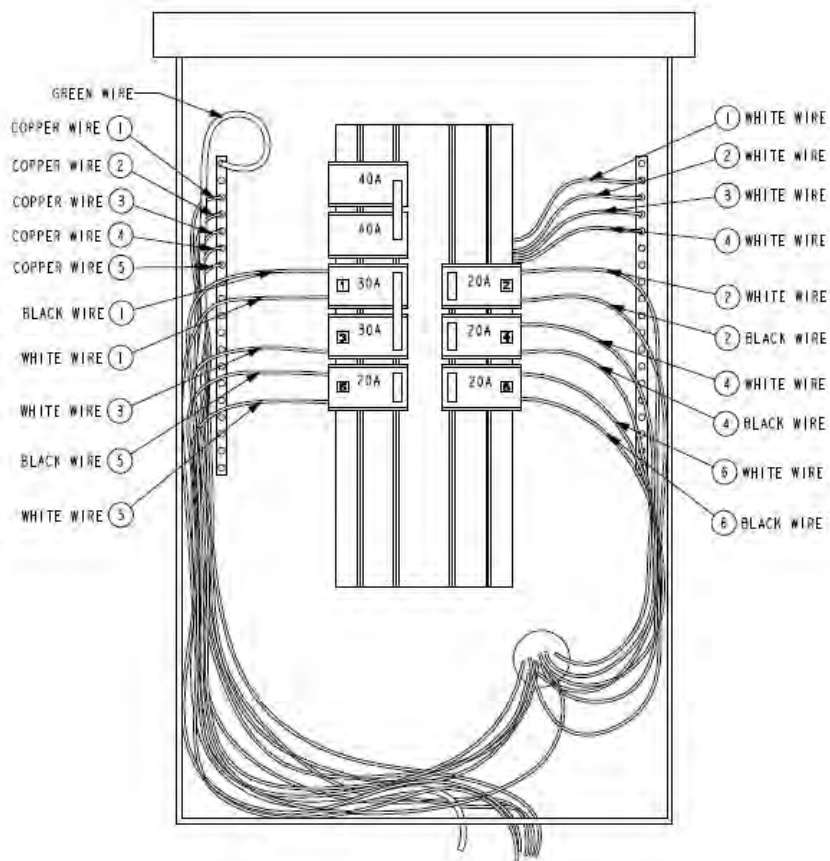
Circuit Breakers

1. Test each circuit breaker and the GFCB reset to ensure they operate properly.



INSPECT**Power Source Cable Hookup**

1. Examine the power source connections to ensure they are tight and secure.

**WARNING**

Ensure all circuit breakers and the power source is switched off before making electrical connections. Ensure the proper electrical 120 VAC cable connectors are installed by a certified electrician (Army MOS 21R).

END OF WORK PACKAGE

UNIT MAINTENANCE INSTRUCTIONS**FPU® SYSTEMS OPERATION MANUAL
(INCLUDING REPAIR PARTS & SPECIAL TOOL LIST)
BOH CONTAINERIZED 5 PERSON SHOWER
BOH FPU Field Pack-up Units****SINK, FAUCETS AND SHOWER HEAD****INITIAL SETUP:****Materiel/Parts**

None

Personnel Required

One

Tools

Damp Rags, Flashlight, Slip Joint Pliers, Adjustable Wrench

References

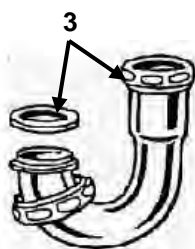
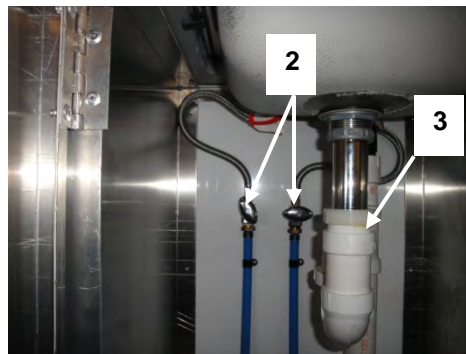
Appendix D and E

Equipment Condition

Operational

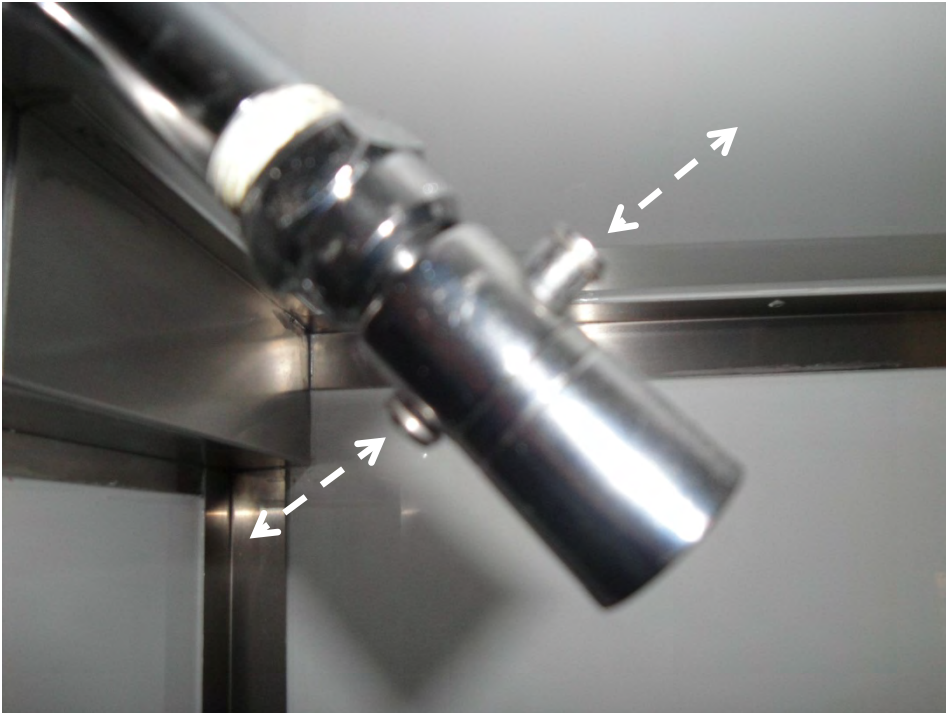
INSPECT

1. Inspect sink (1) for cleanliness.
2. Close water supply valves under the sink (2).
3. Inspect sink water supply connections (2) for leaks; tighten as needed.
4. Check trap joints (3) for leaks. Remove and clean as needed. Tighten as needed
5. Check faucet (4) for leaks.
6. Check sink drain strainer (5) for debris.
7. Test faucet water flow.



INSPECT SHOWER HEAD

1. Inspect the shower head for leakage and proper operation.
2. Actuate the shower head button. Check water flow.
3. Turn off the City Water supply valve.
4. Remove and replace the valve if needed.
5. Turn on the City Water Supply valve.

**END OF WORK PACKAGE**